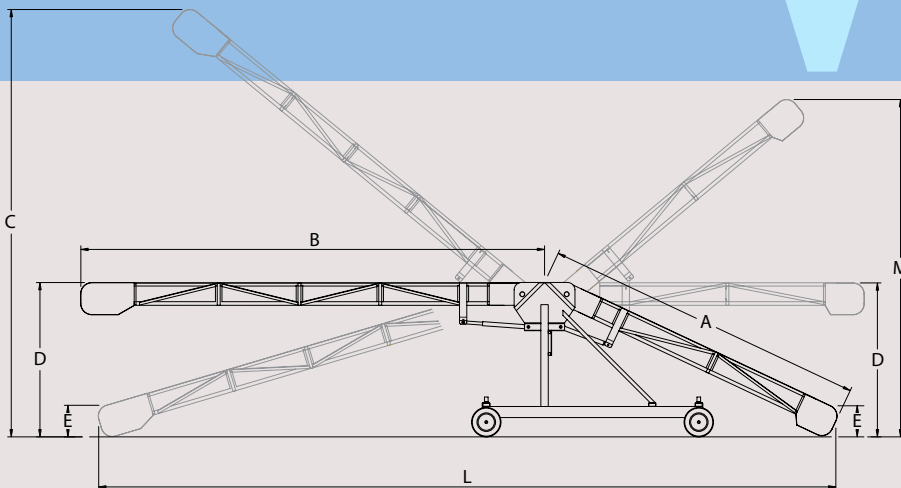


# WS - type



The chain and slat conveyor is ideal for stacking and de-stacking sacks in warehouses and is also used for vehicle loading/unloading. The selected hardwood slats and precision conveyor chain make the machine ideal for harsh environments where only basic maintenance facilities exist.

# WS



## General Dimensions (mm)

	WS12	WS20	WS26	WS30
<b>LENGTH OF SHORT BOOM (A)</b>	4110	4110	4110	4110
<b>LENGTH OF LONG BOOM (B)</b>	3660	6100	7930	9150
<b>OVERALL LENGTH (L)</b>	7110	9780	11660	12880
<b>DELIVERY HEIGHT (C)</b>	4270	5790	7100	7980
<b>FEED HEIGHT (E)</b>	380	380	380	380
<b>DELIVERY HEIGHT (M)</b>	4570	4570	4570	4570
<b>POST HEIGHT (D)</b>	2120	2120	2120	2120

**Additional dimensions for all models:** Overall width at wheels 1500mm. Slat width 600mm. Alternative widths readily available.