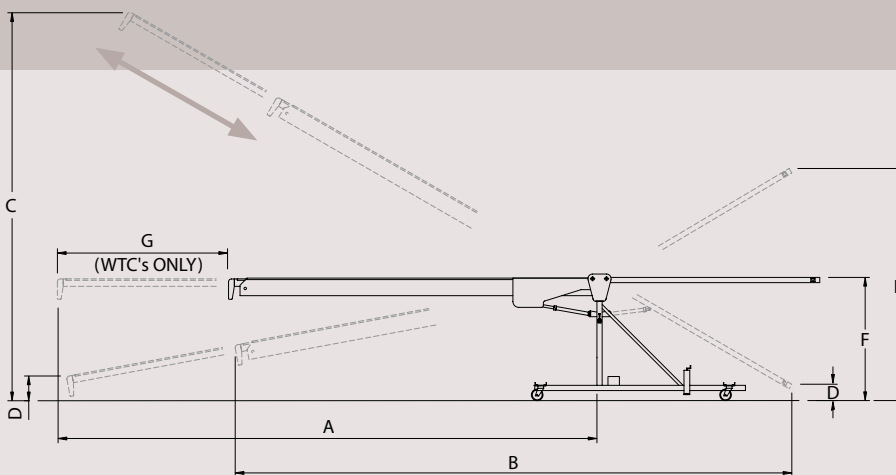


The W-Type suits all applications where the booms of the conveyor are required to adjust in height at both ends.

The WTC has a telescopic main boom whilst the W20 and W26 have fixed length booms.

W - type



General Dimensions (mm)

	W20	W26	WTC33	WTC38
REACH INTO VEHICLE (A)	6100	8000	10000	11550
OVERALL LENGTH (B)	9300	11200	9600	10350
DELIVERY HEIGHT (C)	5200	6100	7000	7800
FEED HEIGHT (D)	200	200	200	200
DELIVERY HEIGHT (E)	4000	4000	4000	4000
POST HEIGHT (F)	2100	2100	2100	2100
TELESCOPIC ACTION (G)	-	-	3685	4310

Additional dimensions for all models: Overall width at front wheels 1145mm. Overall width at delivery end 820mm. Overall width at belt power unit 1235mm.