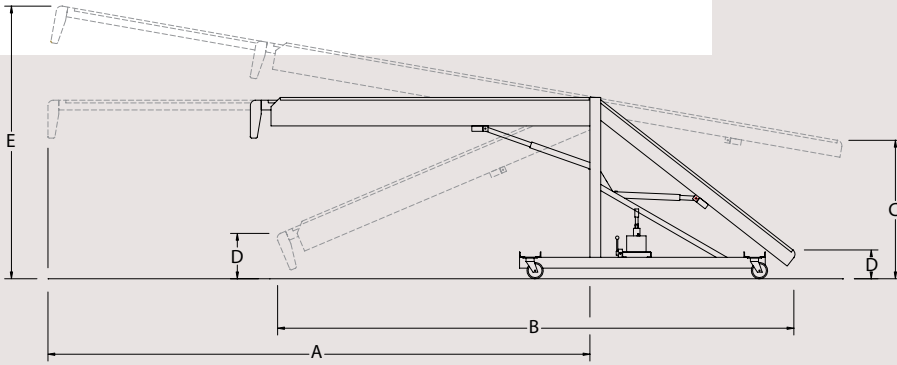




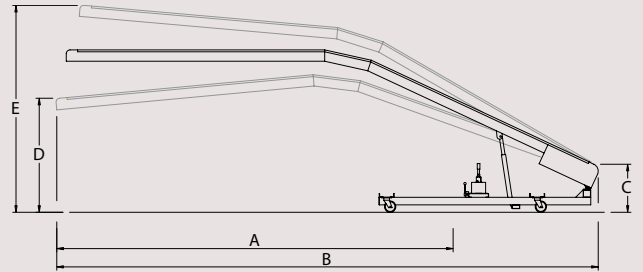
# Vanloader



The Vanloader's hand operated or powered telescopic boom with height adjustment at both ends suit the smaller vehicle application.

## General Dimensions (mm)

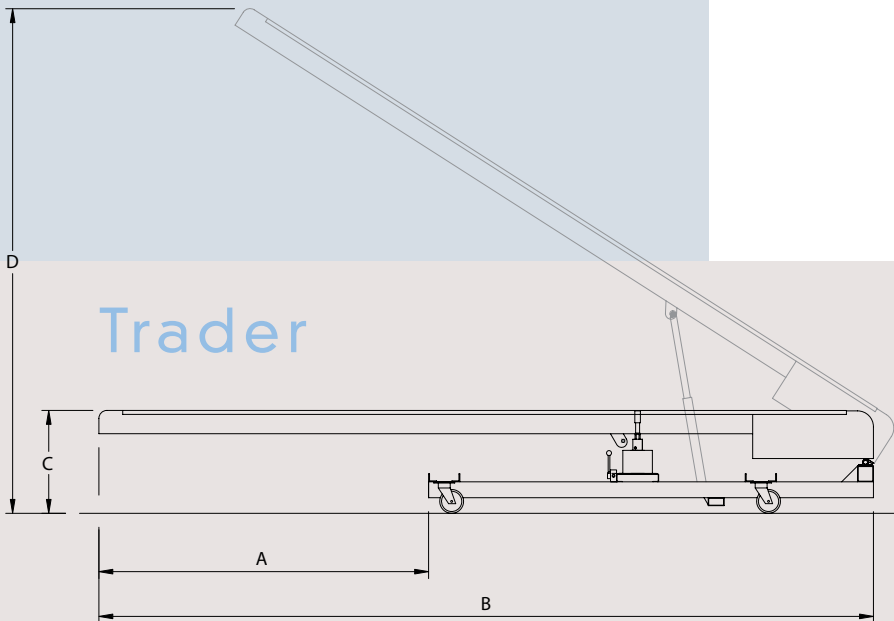
	VANLOADER	MODEL 23
<b>REACH INTO VEHICLE (A)</b>	5000	4880
<b>OVERALL LENGTH (B)</b>	4500	7000
<b>FEED HEIGHT MAX. (C)</b>	1280	760
<b>FEED HEIGHT MIN. (D)</b>	300	760
<b>DELIVERY HEIGHT MAX. (E)</b>	2550	2750
<b>DELIVERY HEIGHT MIN. (D)</b>	300	1520



# Model 23

Intended mainly for vehicle loading and unloading, the Model 23 is an adapted version of the Trader.

# Trader



A robust, easy to move, height adjustable belt conveyor ideal for vehicle loading/unloading, stacking, or as a mobile mezzanine floor conveyor.

## General Dimensions (mm)

	TRADER 12	TRADER 16	TRADER 20	TRADER 24
<b>REACH INTO VEHICLE (A)</b>	1220	2080	2900	3720
<b>OVERALL LENGTH (B)</b>	3660	4880	6100	7320
<b>FEED HEIGHT (C)</b>	760	760	760	760
<b>DELIVERY HEIGHT (D)</b>	2600	3200	3800	4400